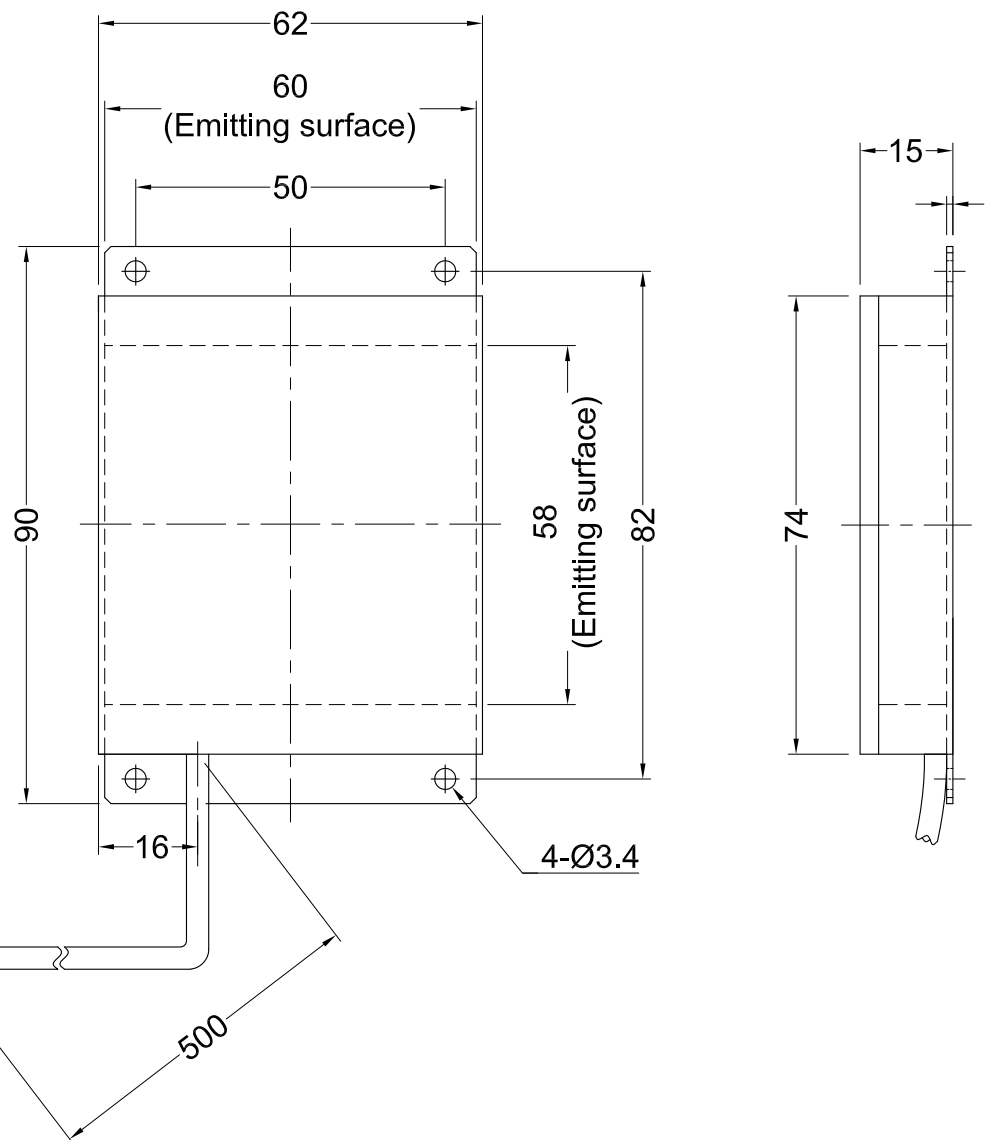


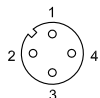
# QBL-060060-47/-66/-SW

Model	QBL-060060-47/-SW	QBL-060060-66
Voltage	24V DC	24V DC
Power Consumption	11.6 W	7.2 W
Mass	110 g	110 g

Third Angle Projection All dimensions in mm



## M12 Connector



Pin 1 - +24V  
 Pin 2 - Nil  
 Pin 3 - 0V  
 Pin 4 - Nil

Cable thickness 3.6