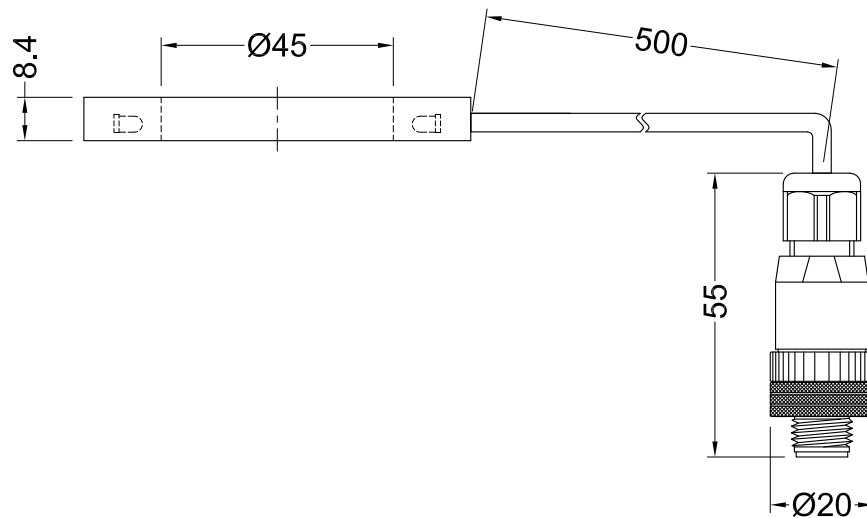
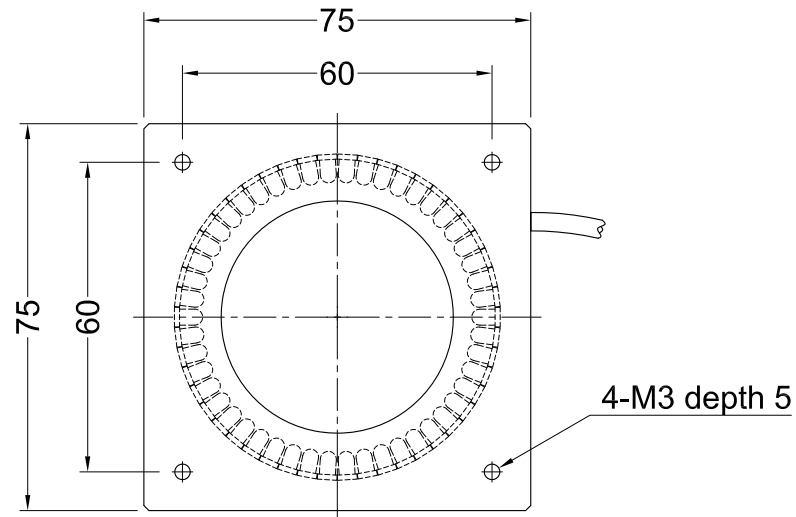


# QDF-075045-47/-52/-66/-SW

Model	QDF-075045-47/-52/-SW	QDF-075045-66
Voltage	24V DC	24V DC
Power Consumption	4.8 W	3.0 W
Mass	90 g	90 g

Third Angle Projection All dimensions in mm



M12 Connector



Pin 1 - +24V  
Pin 2 - Nil  
Pin 3 - 0V  
Pin 4 - Nil

Cable thickness 3.6