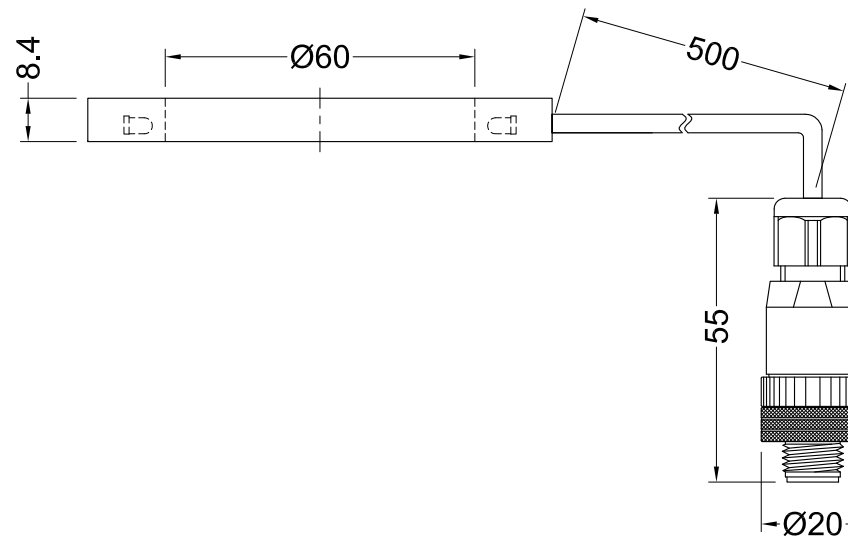
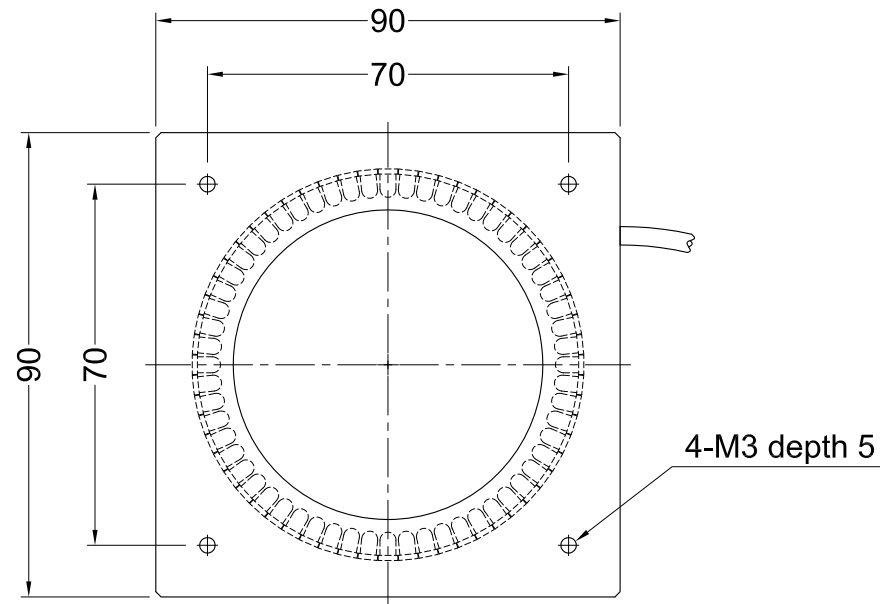


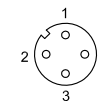
# QDF-090060-47/-52/-66/-SW

Model	QDF-090060-47/-52/-SW	QDF-090060-66
Voltage	24V DC	24V DC
Power Consumption	4.8 W	3.0 W
Mass	115 g	115 g

Third Angle Projection All dimensions in mm



## M12 Connector



Pin 1 - +24V  
 Pin 2 - Nil  
 Pin 3 - 0V  
 Pin 4 - Nil

Cable thickness 3.6