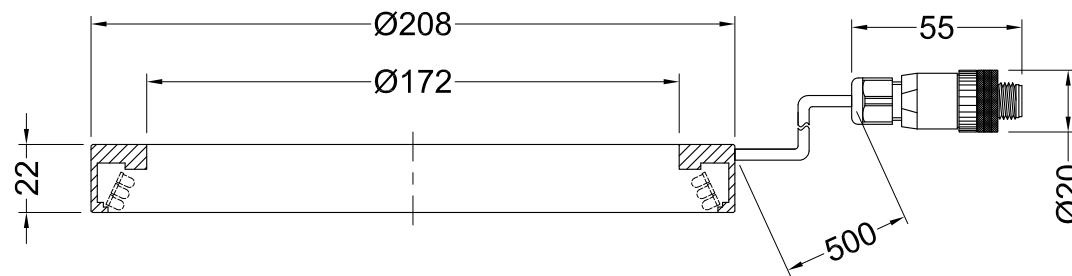
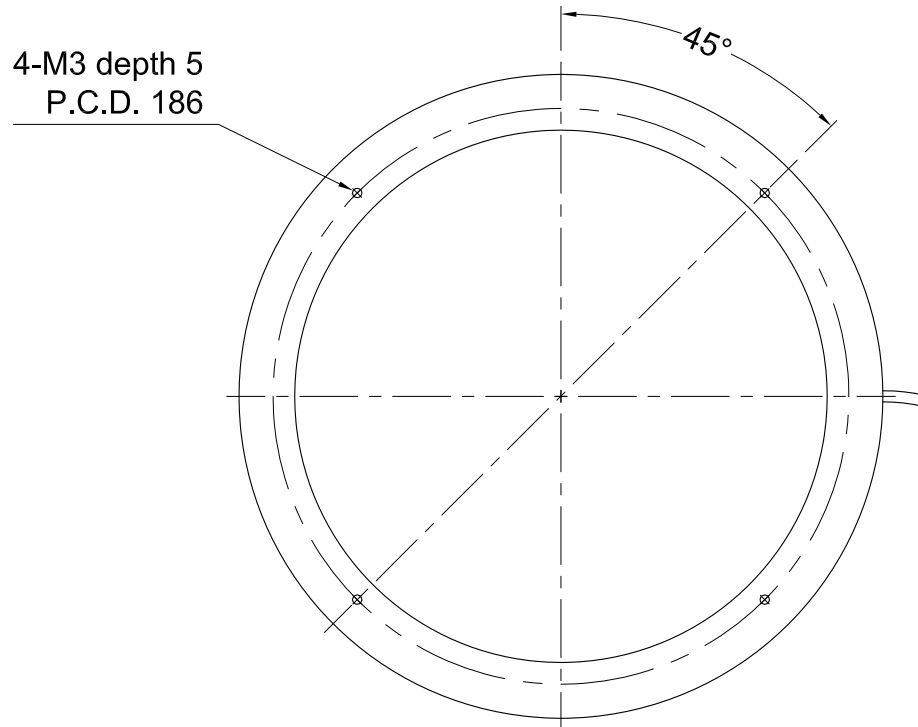


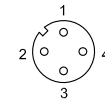
# QLA-208172-47/-52/-66/-SW

Model	QLA-208172-47/-52/-SW	QLA-208172-66
Voltage	24V DC	24V DC
Power Consumption	27.7 W	21.6 W
Mass	305 g	305 g

Third Angle Projection All dimensions in mm



### M12 Connector



Pin 1 - +24V  
Pin 2 - Nil  
Pin 3 - 0V  
Pin 4 - Nil

Cable thickness 3.6