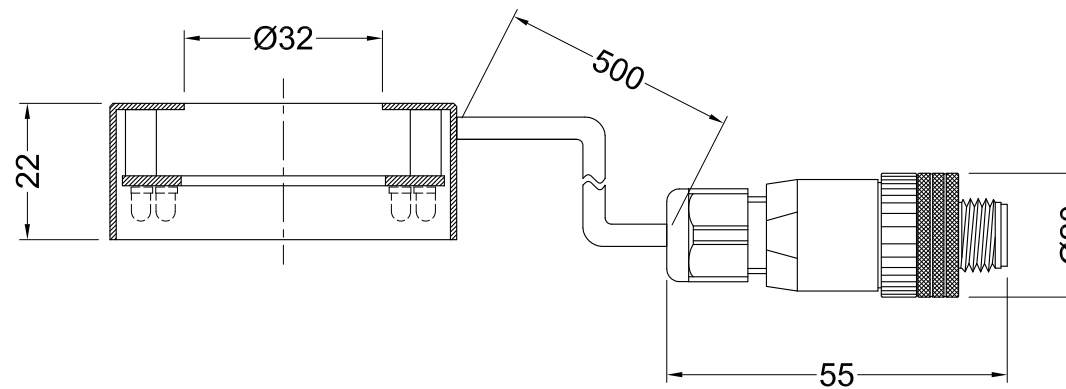
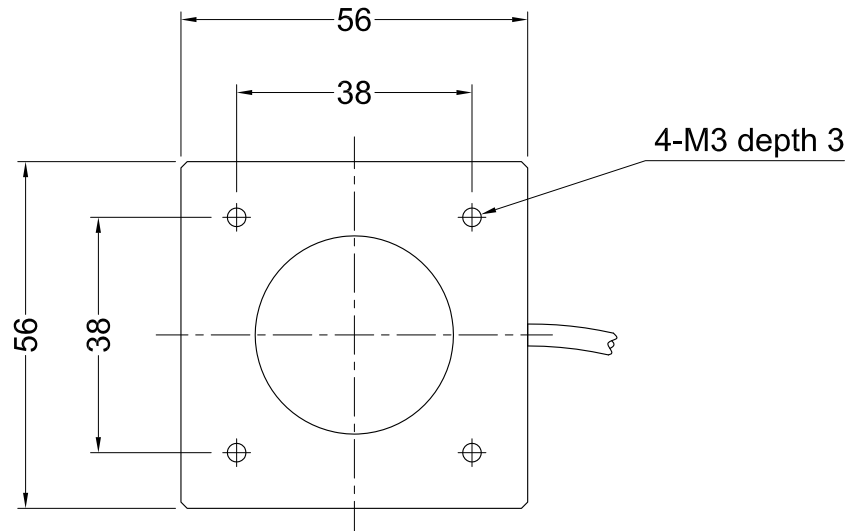


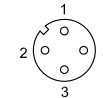
QSQ-056056-47/-52/-66/-SW

| | | |
|-------------------|---------------|-----------------------|
| Model | QSQ-056056-66 | QSQ-056056-47/-52/-SW |
| Voltage | 24V DC | 24V DC |
| Power Consumption | 3.0 W | 4.8 W |
| Mass | 90 g | 90 g |

Third Angle Projection All dimensions in mm



M12 Connector



Pin 1 - +24V
Pin 2 - Nil
Pin 3 - 0V
Pin 4 - Nil

Cable thickness 3.6