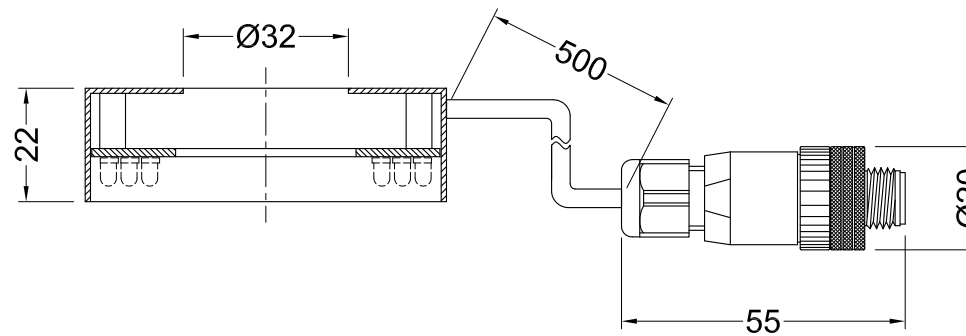
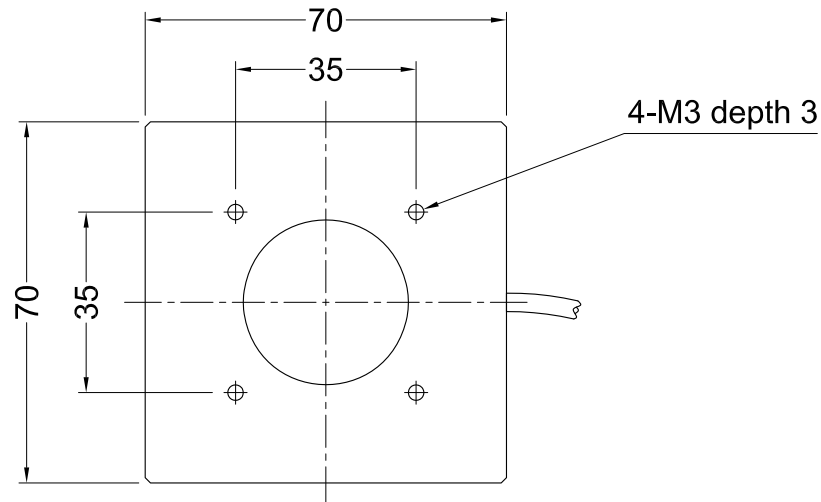


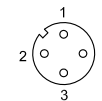
QSQ-070070-47/-52/-66/-IR95/-SW

Model	QSQ-070070-66	QSQ-070070-47/-52/-IR95/-SW
Voltage	24V DC	24V DC
Power Consumption	6.0 W	9.6 W
Mass	130 g	130 g

Third Angle Projection All dimensions in mm



M12 Connector



Pin 1 - +24V
Pin 2 - Nil
Pin 3 - 0V
Pin 4 - Nil

Cable thickness 3.6