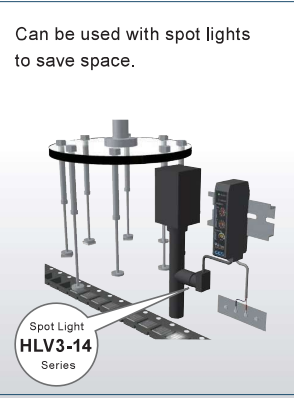
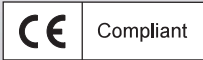




You can also use your smartphone or cell phone.

A single unit compatible with continuous, ON/OFF and strobe lighting



This is a conceptual image.

- Control Units and Controllers
- PD3
 - PD2
 - PSB
 - POD
 - PTU2
 - PF
 - CN-EPOE
 - CN-4024-2-EIPT
 - PB-2430-1
 - CC-ST-1024
 - PJ2
 - PJ
 - CC-PJ-0707**
 - PSCC
 - PSB4
 - PSB3-30024
- Options
- Band-Pass Filters
 - Lens Filters
 - Diffusion Plates
 - Polarizing Plates
 - Light Control Films
 - Fixtures, etc.
 - Brackets
 - SM/EL Cables

Features

- Dedicated Control Unit for the Spot Light HLV Series.
- The compact size allows installation in a limited space.
- Intensity value can be adjusted in 100 steps.
- Power supply is 24 VDC, optimal for on-site usage.

(Spot Light HLV3 Series Product Page ▼ P. 201)

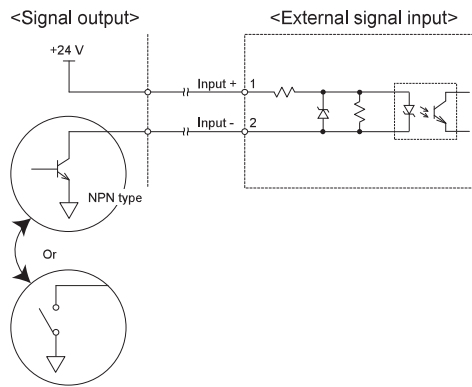
Example Connections

Refer to the "Instruction Guide" for details.

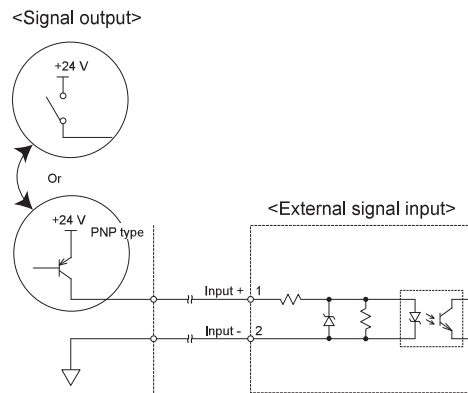
External signal

Example connections

■ Sink type (NPN)



■ Source type (PNP)

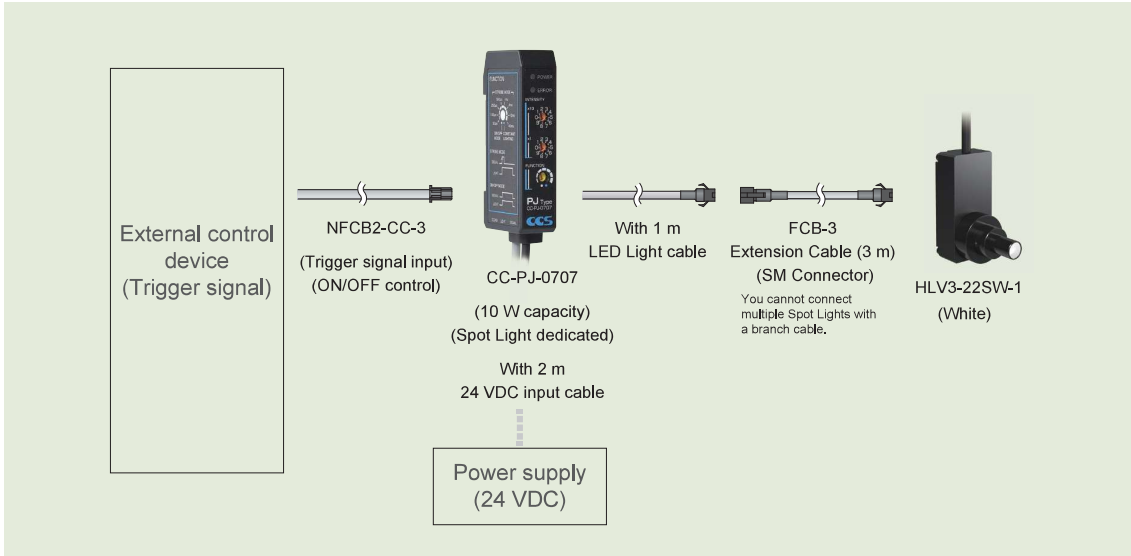
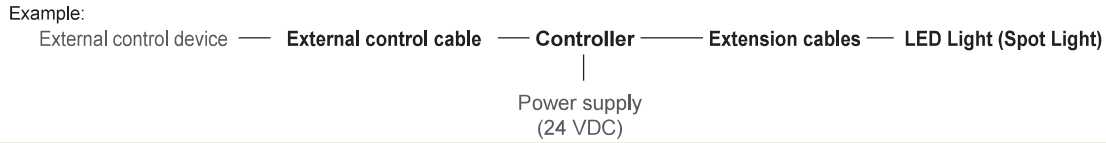


Becomes HIGH when 24 V is applied to input + and 0 V is applied to input - (applied voltage is 24 V±10%).

Apply a current using the open-collector circuit, high-speed photocoupler, semiconductor relay, or others. (We recommend 10 mA or less.)

If using in an environment where noise is likely to occur, we recommend isolating the signal line and GND line from the drive device using a photocoupler or semiconductor relay.

Example System Configuration



PD3
PD2
PSB
POD
PTU2
PF
CN-EPOE
CN-4024-2-EIPT
PB-2430-1
CC-ST-1024
PJ2
PJ
CC-PJ-0707
PSCC
PSB4
PSB3-30024
Band-Pass Filters
Lens Filters
Diffusion Plates
Polarizing Plates
Light Control Films
Fixtures, etc.
Brackets
SM/EL Cables

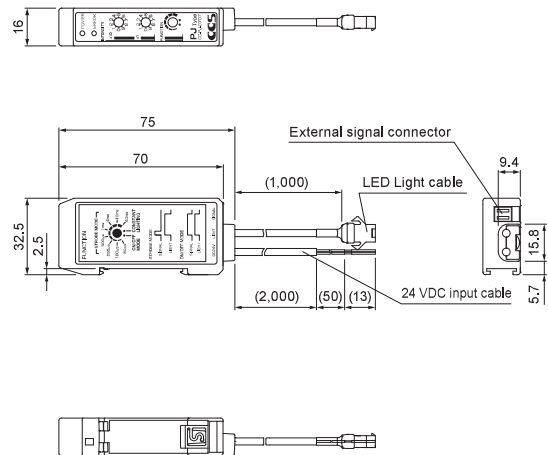
Control Units and Controllers

Options

Specifications

Model name	CC-PJ-0707
Drive method	Constant-current system
Intensity control method	Variable-current control method and lighting time control
Input overcurrent protection	Overcurrent protection is provided by fuse interruption.
Input voltage	24 VDC±10%
Power consumption (typ.)	7 W
Output voltage (max.)	7 VDC
Output current (rated)	700 mA
Operating environment (indoors only)	Temperature: 0 to 40°C, Humidity: 20% to 85%RH (with no condensation)
Storage environment	Temperature: -20 to 60°C, Humidity: 20% to 85%RH (with no condensation)
Vibration resistance	Acceleration: 19.6 m/sec ² ; Frequency: 10 to 55 Hz. Cycle: 3 min., Sweep cycle: each hour in the X, Y, and Z directions
Impact resistance	Acceleration: 49.0 m/sec ² ; Operation time: 30 m sec, Repetitions: three times for each of the six directions
Cooling method	Natural air cooling
CE marking	EMC standard: Conforms to EN61000-6-2, EN61000-6-4
Environmental regulations	RoHS compliant
Material	ABS
Weight	100 g
Accessories	Instruction Guide x 1, flat-head screwdriver x 1

Dimensions (mm)



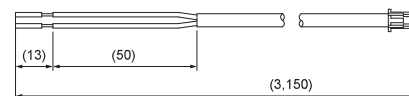
Options

External signal cable

NFCB2-CC-3 (3 m)



This cable is for use with external signals. It is used for intaking HIGH signals (during ON/OFF mode) and trigger signals (during strobe mode) into this product.



Dimensions (mm)



- 1: White (Input+)
- 2: Black (Input-)

Housing: PAP-02V-K (JST)
 Contact: BPHD-002T-P0.5 (JST)