

**ELR-02VF**

Shrink tube

Shrink tube

Ø7,4

Shrink tube

**ELP-02VF**

Ø7,4

VCTF22-1.25-2C

**ELR-02VF**

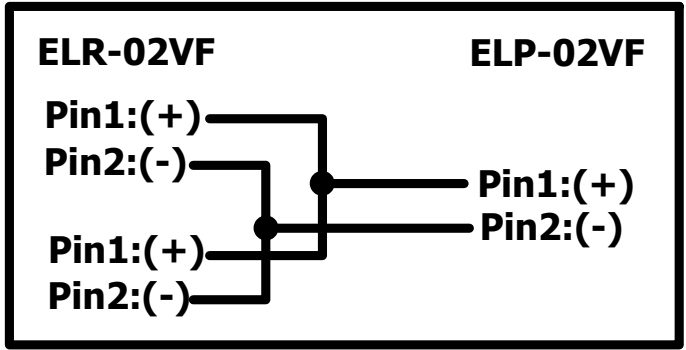
**Pin 1 (+)**

**Pin 2 (-)**

**Pin 2 (-)**

**Pin 1 (+)**

Part No.	X (mm)
FCB-W-1-EL2	1000
FCB-W-2-EL2	2000
FCB-W-3-EL2	3000
FCB-W-5-EL2	5000
FCB-W-10-EL2	10000
FCB-W-15-EL2	15000



Designed by kjonas	Checked by	Approved by	Date	Date 3/23/2015	
			FCB-W-X-EL2		
				Edition	Sheet 4 / 25