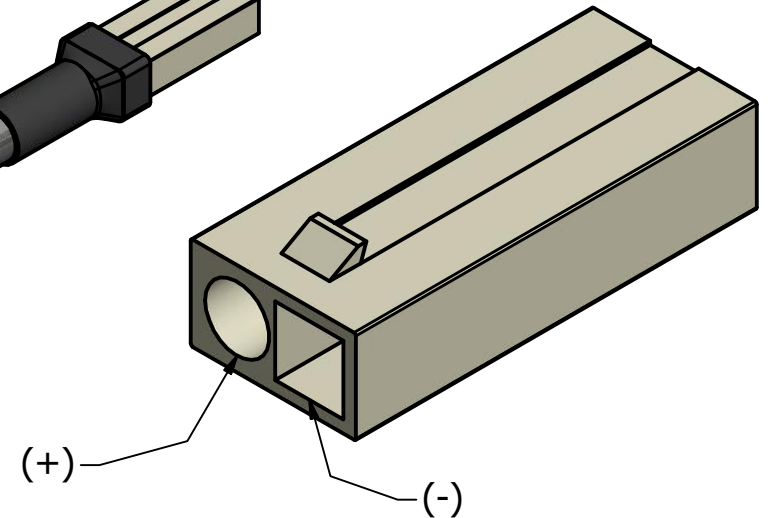
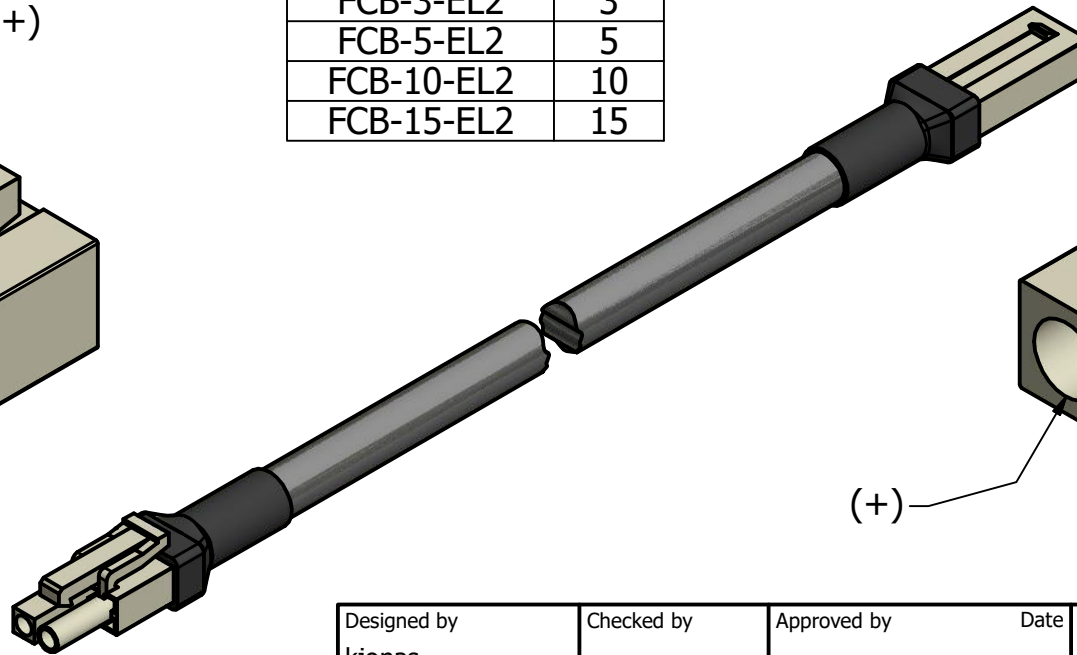
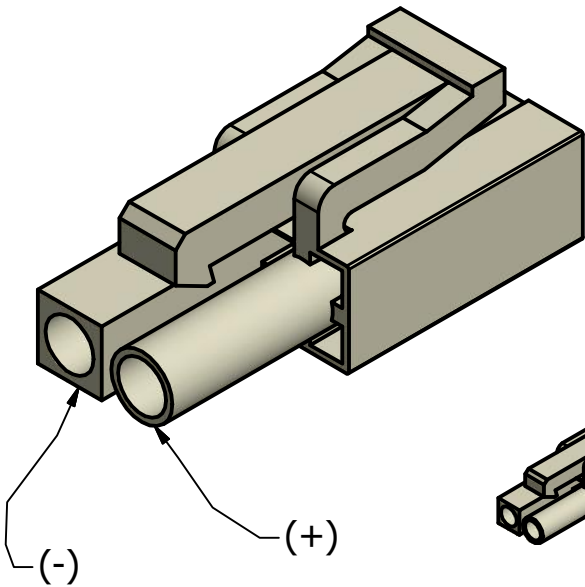
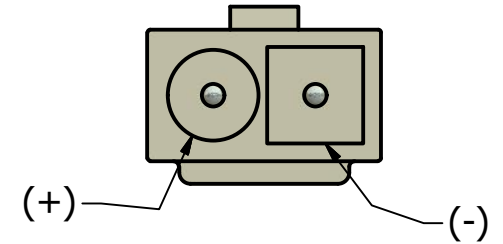
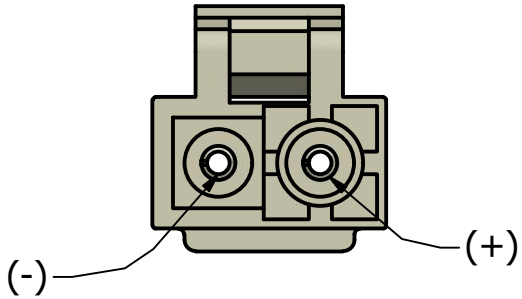


ELP-02V

ELR-02VF

Part No.	X (m)
FCB-1-EL2	1
FCB-2-EL2	2
FCB-3-EL2	3
FCB-5-EL2	5
FCB-10-EL2	10
FCB-15-EL2	15



Designed by kjonas	Checked by	Approved by	Date	Date 3/23/2015	Unit: mm
 CCS America, Inc.			FCB-X-EL2		Edition
					Sheet 3 / 17