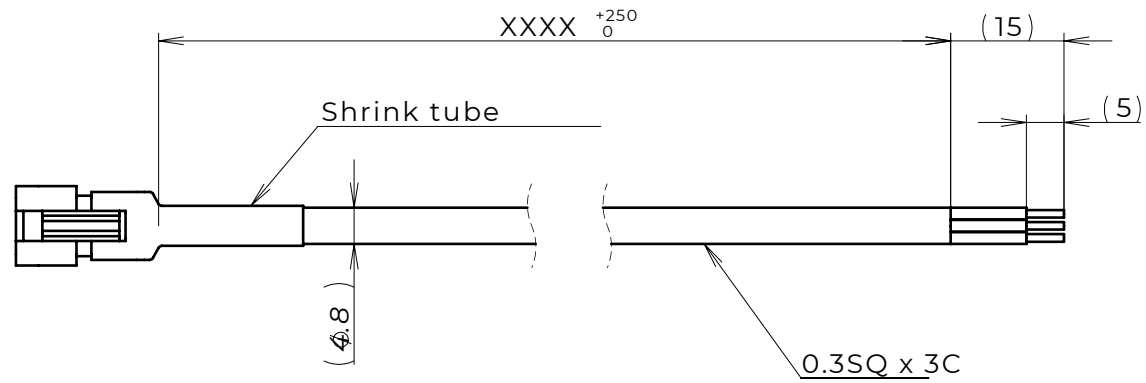


FCB-X-FL-OC

Units: mm

SMR-03V-B (JST)
①: black
②: white
③: red



XXXX:

FCB-1-FL-OC: 1000

FCB-2-FL-OC: 2000

FCB-3-FL-OC: 3000

FCB-5-FL-OC: 5000

FCB-10-FL-OC: 10000

CCS Inc.